

Ratchet spanner

SPECIFICATION

Housing

Steel
plastic coated
black matt, textured finish

Shaft

Stainless Steel AISI 303
matt shot-blasted

Wearing parts

Steel, hardened

Domes gear knobs 1.222 N (see page 537)

Plastic, Duroplast
black, shiny finish



INFORMATION

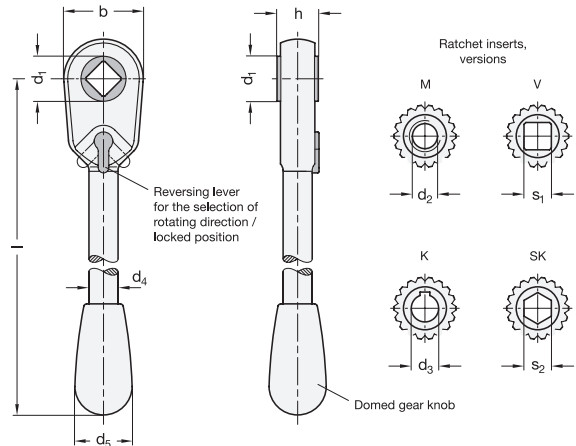
Ratchet spanners GN 316 are robust, easy to handle and have an appropriate and attractive design. Ratchet spanners are normally used wherever the same ratchet insert is always required or where it makes sense to leave the ratchet spanner at the place of use or attach it to equipment or machinery as a "stationary" tool. Various different versions of ratchet insert are available and these can be exchanged as required by loosening the retaining screw and removing the cover plate. The ratchet action is deactivated when the reversing lever is in the locked position (central position), allowing torque to be applied in both directions.

ON REQUEST

- other inserts

TECHNICAL INFORMATION

- Square DIN 79 (see page A16)
- Keyway P9 DIN 6885 (see page A16)
- ISO-Fundamental Tolerances (see page A21)



GN 316

Description	d1	d2	d3 H7	s1	s2	b	d4	d5	h	l	Max. torque in Nm	⚖️
GN 316-12-M8	12	M 8	-	-	-	22	9	20	11	118	40	88
GN 316-12-V8	12	-	-	V 8	-	22	9	20	11	118	40	87
GN 316-17-K10	17	-	K 10	-	-	30	11	26	14	156	70	194
GN 316-17-K12	17	-	K 12	-	-	30	11	26	14	156	70	200
GN 316-17-M10	17	M 10	-	-	-	30	11	26	14	156	70	190
GN 316-17-M12	17	M 12	-	-	-	30	11	26	14	156	70	180
GN 316-17-SK12	17	-	-	-	SK 12	30	11	26	14	156	70	189
GN 316-17-V10	17	-	-	V 10	-	30	11	26	14	156	70	191
GN 316-22-K14	22	-	K 14	-	-	39.5	14	33	17	187	130	420
GN 316-22-K16	22	-	K 16	-	-	39.5	14	33	17	187	130	375
GN 316-22-M14	22	M 14	-	-	-	39.5	14	33	17	187	130	97
GN 316-22-M16	22	M 16	-	-	-	39.5	14	33	17	187	130	380
GN 316-22-SK14	22	-	-	-	SK 14	39.5	14	33	17	187	130	380
GN 316-22-V12	22	-	-	V 12	-	39.5	14	33	17	187	130	380
GN 316-22-V14	22	-	-	V 14	-	39.5	14	33	17	187	130	360
GN 316-26-K18	26	-	K 18	-	-	46	17	33	22	219	180	610
GN 316-26-M20	26	M 20	-	-	-	46	17	33	22	219	180	600
GN 316-26-SK17	26	-	-	-	SK 17	46	17	33	22	219	180	600
GN 316-26-V17	26	-	-	V 17	-	46	17	33	22	219	180	605



3
Clamping levers